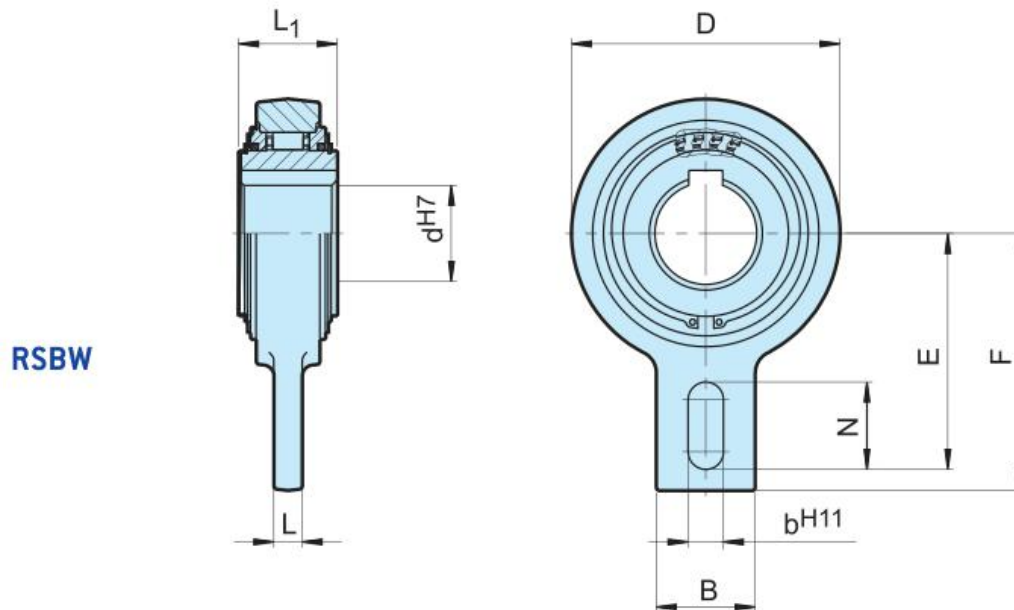


## Technical Parameter of RSBW Sprag Type Freewheel Clutch



Type	Size		Overrunning Speeds									Weight
RSBW	d <sup>H7</sup>	T <sub>KN</sub> <sup>1</sup> )	n <sub>imax</sub>	D	L 1	F	E	B	N	L	b <sup>H11</sup>	
	[mm]	[Nm]	[min <sup>-1</sup> ]	[mm]	[mm]	[mm]	[mm]	[mm]	[mm]	[mm]	[mm]	[kg]
	20	375	400	106	35	113	102.5	40	35	15	18	2
	25	606	400	106	48	113	102.5	40	35	15	18	2.6
	30	606	400	106	48	113	102.5	40	35	15	18	2.5
	35M	375	400	106	35	113	102.5	40	35	15	18	2
	35	606	400	106	48	113	102.5	40	35	15	18	2.4
	40	1295	300	132	52	125	115	60	35	15	18	4.6
	45	1295	300	132	52	125	115	60	35	15	18	4.5
	50	1295	300	132	52	125	115	60	35	15	18	4.5
	55	1295	300	132	52	125	115	60	35	15	18	4.4
	60	2550	250	161	54	140	130	70	35	15	18	6.5
	70	2550	250	161	54	140	130	70	35	15	18	6.4
	80	4875	200	190	70	165	150	70	45	20	25	9.9
90	4875	200	190	70	165	150	70	45	20	25	9.8	

**Notes :**

- 1)  $T_{max} = 2 \times T_{KN}$
- 2) Keyway to DIN 6885.1

**MOUNTING EXAMPLE**

